

HP Designjet 9000s Printer series



Create long-lasting outdoor signage with the fastest printer in its class.⁽¹⁾ This 64 in/1626 mm HP Designjet is an excellent tool to boost production and profitability: increase your print volume, improve your services, and reduce your costs.



Move your productivity to the next level

- **Heavy-duty HP printheads and HP supplies for maximum productivity**
Experience high-speed printing with six heavy-duty Piezo printheads that come with 512 nozzles per printhead for a total of 3,072 nozzles. 1000 ml, HP 790 ink cartridges are designed to meet your usage needs.
- **Enable long, unattended print runs for improved productivity with the HP Take-Up Reel**
Busy print and sign shop employees can be more productive by maximizing unattended printing with four winding modes: slack/face-in, slack/face-out, tight/face-in, and tight/face-out.
- **HP Smart printing technology⁽²⁾ makes HP "low-solvent"⁽³⁾ printing supplies easy to use and manage**
Interactive system technology in HP ink cartridges, printheads, and your printer optimizes print quality and reliability and monitors ink levels.
- **Dry signs quickly and safely with the easy-to-operate HP Designjet High Speed Dryer**
Add this optional high-speed dryer and accelerate drying time. Control temperature, fan airflow, and the timer from the front panel. Combine the dryer with the automatic Take-Up Reel Kit and enable long, unattended print runs at maximum print speeds.

Vivid colors with excellent durability

- **Wow your clients with vivid color output that shines brightly**
Create signs, banners, and large graphics with such vivid color, they radiate success. Sophisticated HP low-solvent ink formulations and printhead technology enable a higher concentration of colorants in the inks to produce a wider gamut of rich, saturated color. The result - more vivid color for high impact image quality.
- **HP low-solvent inks - excellent durability without lamination on low-cost, uncoated media**
Designed with the HP 9000s Printer, HP low-solvent ink formulations produce durable prints that resist fading for three years without lamination and are scratch, smear, and crack resistant ⁽⁴⁾.
- **Premium image quality - HP printing materials designed with HP low-solvent inks**
With HP Premium Scrim Banner, HP Universal Scrim Banner, and HP Premium Backlit Film, get premium image quality and high opacity.

Better business, more profits

- **Successfully compete against screen print shops for those shorter run lengths**
Yes; it's true! Better business and more profits are a reality with this printer. High print speeds and low printing costs increase the break-even point against screen printers, making it easier to compete, and creating a huge opportunity in the outdoor printing market.
- **Minimize your costs and get lasting output on uncoated media**
Count on excellent quality output on a range of low cost, uncoated materials, such as adhesive vinyls, films, banner stocks, papers, and fabrics.

Safety and support - at HP, your needs come first

- **Have a clean, safe print environment with an integrated air purifier created for HP Designjets**
This printer-connected system uses a sealed, carbon-activated filter and high-powered fan to filter air at a rate consistent with the print speed and the number of volatile organic compounds released during the printing process.
- **HP guidelines help make HP low-solvent ink printing safe, productive, and easy**
Following HP's installation and use guidelines helps you achieve a reliable and productive low-solvent ink printing solution and helps you address environmental, health, and safety questions about printing with HP low-solvent inks.
- **Designed together for HP quality and reliability**
The HP Designjet printing system - printers, low-solvent inks, ink cartridges, printheads, and printing material - is engineered to work with precision and must meet strict HP quality standards. Reliable operation saves you time and improves your productivity.
- **HP offers the cleaning supplies and replacement ink cartridges needed to maintain your system**
HP training and guidelines help you implement environmentally responsible and safe practices for the purchase, installation, operation, handling, and maintenance of HP low-solvent printing supplies.
- **Experience peace of mind, knowing you're covered with HP's award-winning service and support**
HP's customer service and support backs every product with fast, knowledgeable online e-Support available 24/7 at www.hp.com/support, and easy-to-access phone support provided by HP trained agents. Plus, you can enhance your warranty protection with the purchase of affordable HP Care Pack Services.

⁽¹⁾ Compared to other large-format printers within the same price range. Based on the recognized standard printing mode in the digital print industry-720 dpi with four passes per color-published by manufacturers as of December 2005.

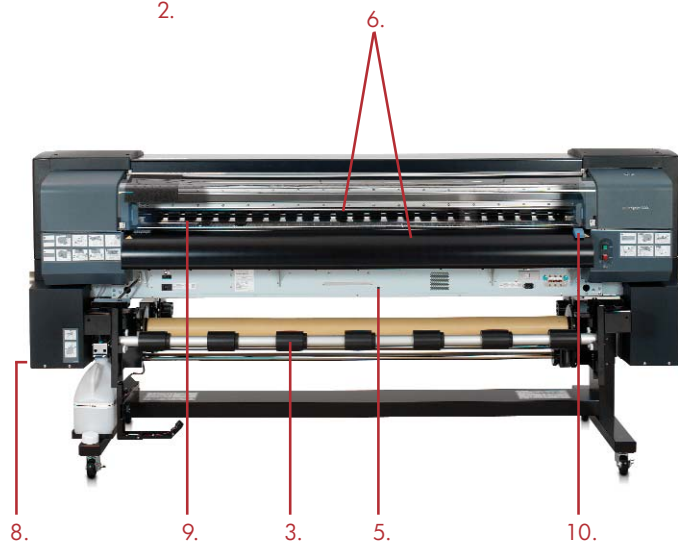
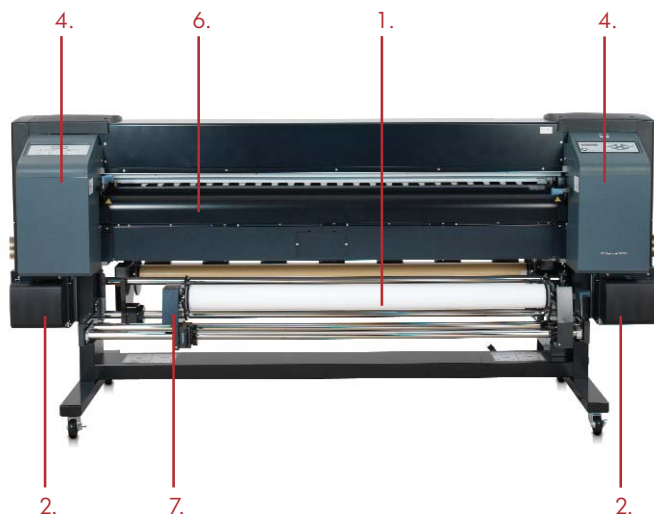
⁽²⁾ Using genuine HP supplies ensures availability of all HP printing features.

⁽³⁾ HP "low-solvent" inks are defined according to what is currently known in the industry as low-solvent inks.

⁽⁴⁾ Based on internal HP testing under specific test conditions; relative to key competitors.

HP Designjet 9000s Printer series

1. Up to 64 in/1626 mm wide
2. 1000 ml, HP 790 ink cartridges with "hot-swap", which allows you to change an ink cartridge without interrupting the print job
3. Heavy-duty HP Take-Up Reel with four winding modes
4. Two interactive front panel
5. USB 2.0 Hi-speed connectivity
6. 3 user-controllable integrated heaters
7. Easy media-loading
8. Exhaust attachment for efficient removal of Volatile Organic Compounds (VOC) included in the printer box
9. Printhead height adjustable to 2 different positions
10. Adjustable vacuum system to match media width



Detail on Take-Up Reel with four winding modes



HP Ink Supplies



Interactive front panel



Adjustable vacuum system



Easy media loading

HP Designjet 9000s Printer series at a glance

HP Designjet 9000s Printer

In the box

HP Designjet 9000s Printer (with stand assembled)
including Take-Up Reel

Optional accessories

- HP Designjet 9000s Air Purifier System
- HP Designjet High Speed Dryer
- Onyx® PosterShop® 6.5 for HP Designjet
- Media cover for HP Designjet 9000s series

The HP Designjet 9000s Printer series, HP low-solvent ink cartridges, and printing material were all designed, engineered and tested together to ensure uncompromising reliability, image quality, durability, performance and ease of use. The total HP printing solution is composed of the following accessories:



HP Designjet 9000s Air Purifier System



HP Designjet High Speed Dryer



Onyx® PosterShop® 6.5 for HP Designjet

HP Designjet 9000s Air Purifier System

Put your confidence in HP. Add this air purifier system (APS) - specially designed for HP low-solvent inks - to your HP Designjet printer for highly efficient air filtration. The APS includes the tubes that connect to the printer.

Count on HP for a clean, safe* print environment

- **Highly effective carbon filter removes hazardous substances released from solvent inks**

The air purifier system developed for the HP Designjet 9000s Printer series uses carbon filters to extract from the air volatile organic compounds released during the printing process.

- **Return cleaned air to the working area or divert it outside**

This air purification system is equipped with a standard sealing device, and collected pollutants are led automatically through the filter.

Easily operate with front-panel display unit

- **Access air purification system data through a front-panel display unit**

Unlike some air purification systems, this system has a front-panel display unit that allows you to access certain data, such as run-on time to automatically stop purifier operation a certain amount of time.

- **Easily replace the filter through the front door on the system**

The front door of the air purification system opens safely and easily for quick replacement of the two filters. A notification on the front-panel display unit will alert you when it's time to change the filters.

* When used appropriately, according to the product's guidelines.



HP Designjet High Speed Dryer

Add this high-speed dryer to your HP Designjet 9000s Printer and accelerate drying time.

Improve productivity - dryer reduces drying time

- **Dry prints as quickly as the automatic take-up reel* can roll them up**

With the high-speed dryer and take-up reel,* you can complete jobs at a rate of up to 322 ft²/hour (98 m²/hour). The integrated dryer and take-up reel enable unattended print runs.

Easily operate high-speed dryer

- **Completely dry prints with user-adjustable heater and blower unit**
Use variable controls on top of the dryer unit to set the heater temperature and to adjust the fan airflow.
- **Dryer's off timer allows unattended drying for up to 12 hours**

Count on a dryer that was designed for safety

- **Built for high-volume, commercial print environments**



Detail on variable controls



Adjust the fan airflow

Onyx® PosterShop® 6.5 for HP Designjet

Use this Onyx® PosterShop® RIP to print job after job of the best colors your printer can produce. Efficiently manage jobs and handle production with job preflight and printer queue tools.

Print the colors your customers expect

- **Make color changes - to precise spots or entire images - with intuitive color correction tools**
- **Have CMYK colors pop with PosterColor color rendering technology by Onyx**
- **Match colors as closely as possible to the Pantone Color Library**

Print and customize jobs quickly and easily

- **Modify jobs and see final layout on your screen before printing with easy-to-use preflight controls**

- **Print directly from your creative applications or from Hot Folders that specify job properties**

- **Add cut marks to your print jobs easier than ever with this RIP's contour cutting workflow**

Manage medias and calibrate your printer as needed

- **Use the RIP's default media calibration tables, or add and calibrate your own printing materials**

Minimum PC operating system requirements for the Onyx® PosterShop® 6.5 for HP Designjet

Windows 2000 Server with latest SP, Windows 2000 Professional with latest SP, Windows XP Professional SP2, Intel Pentium III/AMD Athlon, 1.5 GHz or higher, 40 Gb hard drive, 1 GB RAM per CPU, 1280 x 768 16 bit colour display, DVD-ROM drive

HP Designjet 9000s Printer series

Technical specifications

Print speed	88 ft/2h (8.17 m ² /h), color image on vinyl media Normal 176 ft/2h (16.35 m ² /h), color image on vinyl media Draft normal 220 ft/2h (20.4 m ² /h), color image on vinyl media Fast 322 ft/2h (29.9 m ²), color image on vinyl media
Print resolution maximum	720 x 720 dpi
Print margins	(Top x bottom x right x left): 0.2 x 0.2 x 0.2 x 0.2 in/5 x 5 x 5 mm (Top x bottom x right x left): 0.2 x 0.4 x 0.2 x 0.4 in/5 x 10 x 5 x 10 mm
Memory	192 MB
Media	Roll to roll, 4 position support take-up reel Paper, vinyl, banner scrim, films, fabrics 0.002 - 0.024 in/0.07 mm - 0.63 mm 0.826 to 0.102 in/2.1 to 2.6 mm 64 in/1626 mm 52.9 lb/24 kg
Printing	Piezo-electric inkjet heads 720 x 720 dpi Cyan, magenta, yellow, black, light cyan, light magenta HP low-solvent pigmented inks 12 pl 1000 ml per color 512 nozzles per head x 6 colors 150 ft/45.7 m (RIP dependable) ±0.3% or ± 5 mm whichever is larger
Heater integrated	3 independent heating systems Front, print and rear areas 59 to 131 °F/15 to 55 °C
Interfaces (Standard)	USB 2.0 Hi-speed
Dimensions (w x d x h)	
Printer	100 x 33.9 x 47.3 in/2540 x 861 x 1201 mm
Shipping	107 x 40 x 56 in/2720 x 1020 x 1420 mm
Weight	
Printer	506lbs/229 kg
Shipping	633 lbs/287 kg
What's in the box	HP Designjet 9000s Printer (with stand assembled), Waste Ink Bottle (2), Take-Up Reel, Tension bar for take-up reel, Coated paper, Paper tube, Screwdriver for Assembly, Cleaning Kit, Ink cartridges (6), Exhaust Attachment Kit, Power Cord for Printer, Power Cord for Heater, User Guide CD, USB Cable, Rubber gloves

Accessories - technical specifications

HP Designjet 9000s Air Purifier System

What's in the box	HP Designjet 9000s Air Purifying unit with 2 filter elements inside, APS printer connection set, User's Guide, Power cord in compliance with regional power
Product weight	209 lb/95 kg plus tube connections
Package weight	253 lb/115 kg
Product dimensions	14.3x31.5x31.3in/ 365x801x797mm
Package dimensions	22.4x35.4x44.8in/570x900x1140mm
Power consumption	1600 watts
Fan power	12713 ft ³ /hr (360 m ³ /hr)

HP Designjet High Speed Dryer

What's in the box	Dryer unit, Support stay, Foot with castor X 2, Stand X 2, M5 x 12L hexagon socket head bolt X 16, Hexagon bar wrench, User's guide, Power cord in compliance with regional power
Product weight	88 lb/40 kg
Package weight	132 lb/60 kg
Product dimensions	2416 x 612 x 903 mm
Package dimensions	99.6 x 27 x 13 in/ 2530 x 690 x 335 mm

Environmental ranges	Recommended operating temperature 59 to 86 °F/15 to 30 °C Storage temperature 41 to 35 °F/5 to 35 °C Operating humidity range 30 to 70% RH Recommended humidity range 30 to 70% RH
Acoustic	Sound pressure, active 60 dB (A) Sound pressure, standby 45 dB (A)
Power consumption	Printer active 200 watts Printer with Heater active 1440 watts Printer standby 40 watts Heater standby 2 watts
Power requirements	Printer Input voltage 100 to 127 VAC (+/-10%), 50/60 Hz +/- 1 Hz, 2 amp; 220-240 VAC (+/-10%), 50/60 Hz +/- 1 Hz, 1 amp Heater Input voltage 100 to 127 VAC (+/-10%), 50/60 Hz +/- 1 Hz, 12 amp; 220-240 VAC (+/-10%), 50/60 Hz +/- 1 Hz, 6 amp
Certification	Safety certification Compliant with IEC 60950, including EU LVD and EN60950, CSA certified for US and Canada, Mexico NYCE, Argentina IRAM, Singapore PSB, Russia VNIIS, Poland EL TEST Electromagnetic certification Compliant with Class A requirements including EU (EMC Directive), USA (FCC rules), Canada (DoC), Australia (ACA), New Zealand (MoCo), Japan (VCCI), Korea (MIC), Taiwan (BSMI) Environmental certification WEEE, ROHS
Warranty	Printer One year system warranty Printheads One year warranty (EMEA), six months warranty (LAR, AP)

Energy Star® Energy Star logo® are US registered marks of the United States Environmental Protection Agency. Microsoft and Windows are U.S. registered trademarks of Microsoft Corporation. Adobe® and Adobe® PostScript® 3™ are trademarks of Adobe Systems Incorporated. AutoCAD is a U.S. trademark of Autodesk, Inc. © 2004 Hewlett-Packard Development Company, L.P. The information contained herein is subject to change without notice. The only warranties for HP products and services are set forth in the express warranty statements accompanying such products and services. Nothing herein should be construed as constituting an additional warranty. HP shall not be liable for technical or editorial errors or omissions contained herein.

Ordering information

Product	Q6665A HP Designjet 9000s Printer
Accessories	Q6668A HP Designjet 9000s Air Purifier System 220V Q6668B HP Designjet 9000s Air Purifier System 110V Q6667A HP Designjet High Speed Dryer Q6668A HP Designjet 9000s Air Purifying System Q6669A Onyx® PosterShop® 6.5 for HP Designjet Q6680A Media cover for HP Designjet 9000s series Q6679A HP Designjet 8000s/9000s APS Filter
Service & Support care packs	UD916A/E 3 year Next-Day Onsite - onsite next day support UD917A/E 4 year Next-Day Onsite - onsite next day support UD918A/E 5 year Next-Day Onsite - onsite next day support UD919A/E 3 year 9x5 Same-Day Onsite - onsite support in 4 hours UD920A/E 4 year 9x5 Same-Day Onsite - onsite support in 4 hours UD921A/E 5 year 9x5 Same-Day Onsite - onsite support in 4 hours UD922A/E 3 year 13x5 Same-Day Onsite - onsite support in 4 hours UD923A/E 4 year 13x5 Same-Day Onsite - onsite support in 4 hours UD924A/E 5 year 13x5 Same-Day Onsite - onsite support in 4 hours UD925PA/E 9x5 Next day onsite - 1-Year post warranty UD926PA/E 9x5 Same-day onsite - 1-Year post warranty UD927PA/E 13x5 Same-day onsite - 1-Year post warranty
Ink supplies	
Cartridges	CB271A HP 790 Black Ink Cartridge, 1000 ml CB272A HP 790 Cyan Ink Cartridge, 1000 ml CB273A HP 790 Magenta Ink Cartridge, 1000 ml CB274A HP 790 Yellow Ink Cartridge, 1000 ml CB275A HP 790 Light Cyan Ink Cartridge, 1000 ml CB276A HP Light Magenta Ink Cartridge, 1000 ml
Waste Ink Bottle	CB299A HP 790 Waste Ink Bottle
Kits	CB293A HP 790 Wiper Cleaning Kit CB294A HP 790 Cap Cleaning Kit CB296A HP 790 Ink System Cleaning Kit CB297A HP 790 Ink System Storage Kit (TBD)
Media supplies	Q8678A HP Premium Scrim Banner 36 in x 164 ft/914 mm x 50 m Q8679A HP Premium Scrim Banner 54 in x 100 ft/ 1372 mm x 30.5 m Q8680A HP Universal Scrim Banner 36 in x 164 ft/914 mm x 50 m Q8681A HP Universal Scrim Banner 54 in x 100 ft/1372 x 30.5 m Q8682A HP Premium Self adhesive Vinyl- 54 in x 150 ft/ 1372 mm x 45.7 m Q8683A HP Premium Self adhesive Vinyl- 60 in x 150 ft/ 1542 mm x 45.7 m Q8684A HP Premium Backlit Film 36 in x 66 ft/914 mm x 20.1m Q8685A HP Premium Backlit Film 54 in x 66 ft/ 1372 mm x 20.1m Q8686A HP Universal Photo-realistic Paper- 36 in x 150 ft/ 914 mm x 45.7 m Q8687A HP Universal Photo-realistic Paper- 54 in x 150 ft/1372 x 45.7 m

For more information, visit our website at
www.hp.com/go/designjet9000s

